

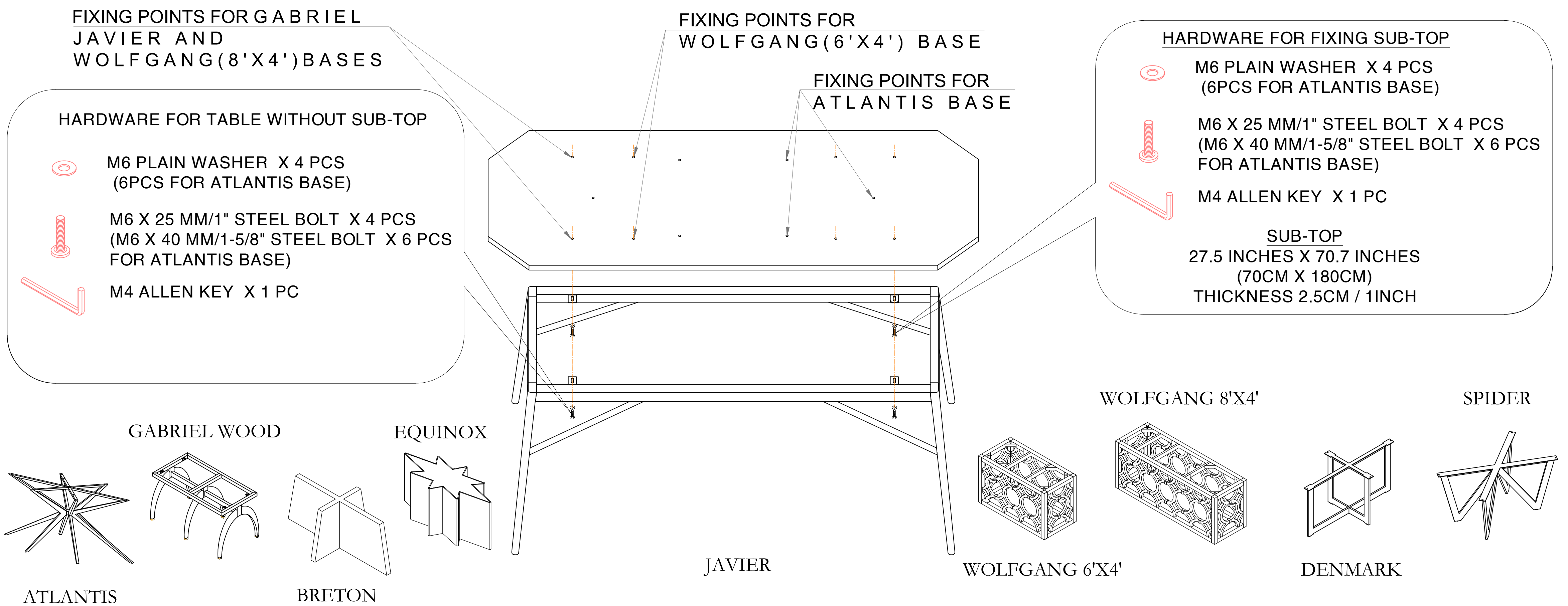
# MR. BROWN LONDON

## TABLE TOP COMBINATIONS WITH ATLANTIS, GABRIEL, JAVIER, BRETON, EQUINOX, WOLFGANG, DENMARK AND SPIDER BASES WITH ASSEMBLY INSTRUCTIONS

The table below shows all the possible combinations of tops with bases. Also shown is the overall height of each combination. All the tops, except the marble tops, require the sub-top.

TABLE COMBINATIONS	TOPS (Length x Width x Thickness)	WITH SUB TOP					WITHOUT SUB TOP				
		Shagreen 96" x 48" x 1.75" (2440 x 1220 x 44 mm) Racetrack	Walnut 96" x 48" x 1" (2440 x 1220 x 26 mm) Racetrack	Oak 96" x 48" x 1" (2440 x 1220 x 27 mm) Racetrack	Gesso 96" x 48" x 1.75" (2440 x 1220 x 44 mm) Racetrack	Ash 96" x 48" x 1" (2440 x 1220 x 26 mm) Rounded Rectangular	Stone 96" x 48" x 2" (2440 x 1220 x 52 mm) Rounded Rectangular	Stone 96" x 48" x 2" (2440 x 1220 x 52 mm) Racetrack	Stone 96" x 48" x 2" (2440 x 1220 x 52 mm) Rectangular	Stone 72" x 48" x 2" (1830 x 1220 x 52 mm) Rectangular	Stone 96" x 48" x 2" (2440 x 1220 x 52 mm) Oval
<b>BASES ( Height)</b>		<b>OVERALL TABLE HEIGHTS INCLUDING BASE, TOP AND SUB-TOP IF USED.</b>									
ATLANTIS - 28"/713mm		30"/765 mm	30"/764 mm	30"/765 mm	30"/765 mm	30"/764 mm	30"/765 mm	30"/765 mm	30"/765 mm		30"/765 mm
GABRIEL WOOD - 28"/713mm		30"/765 mm	30"/764 mm	30"/765 mm	30"/765 mm	30"/764 mm					
JAVIER - 28"/713mm		30"/765 mm	30"/764 mm	30"/765 mm	30"/765 mm	30"/764 mm					
BRETON - 28"/713mm		30"/765 mm	30"/764 mm	30"/765 mm	30"/765 mm	30"/764 mm	30"/765 mm	30"/765mm	30"/765mm	30"/765mm	
EQUINOX - 28"/713mm		30"/765 mm	30"/764 mm	30"/765 mm	30"/765 mm	30"/764 mm	30"/765 mm	30"/765mm	30"/765mm	30"/765mm	
WOLFGANG (8'X4') - 27 3/4"/705mm		29 3/4"/757 mm	29 3/4"/756 mm	29 3/4"/757 mm	29 3/4"/757 mm	29 3/4"/756 mm	29 3/4"/757 mm	29 3/4"/757mm	29 3/4"/757mm		
WOLFGANG (6'X4') - 27 3/4"/705mm		29 3/4"/757 mm	29 3/4"/756 mm	29 3/4"/757 mm	29 3/4"/757 mm	29 3/4"/756 mm	29 3/4"/757 mm	29 3/4"/757mm	29 3/4"/757mm	29 3/4"/757mm	
SPIDER - 28 3/8"/719mm		30 3/8"/771 mm	30 3/8"/770 mm	30 3/8"/771 mm	30 3/8"/771 mm	30 3/8"/770 mm	30 3/8"/771 mm	30 3/8"/771 mm	30 3/8"/771 mm	30 3/8"/771 mm	
DENMARK - 28 1/4"/717mm		30 1/4"/769 mm	30 1/4"/768 mm	30 1/4"/769 mm	30 1/4"/769 mm	30 1/4"/768 mm	30 1/4"/769 mm	30 1/4"/769 mm	30 1/4"/769 mm	30 1/4"/769 mm	

Attach the sub-top to the base, using the hardware provided.



Attach the top to the sub-top with the hardware provided and the table is complete.

